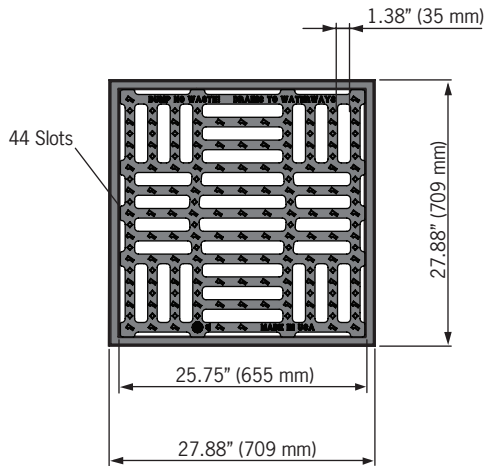


2x2 Polyester polymer concrete catch basin

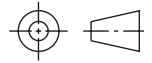
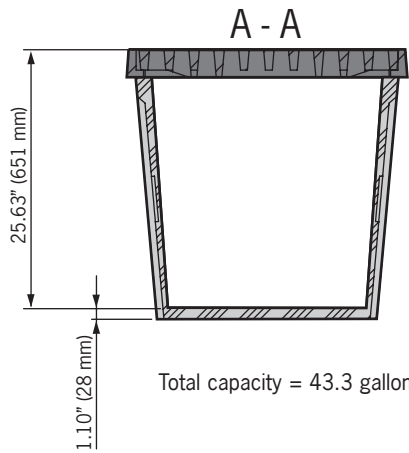
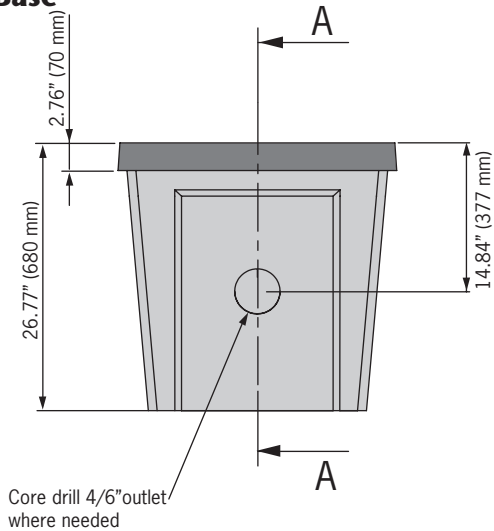
Grate



- Grate is classified as 'Heavy Duty' and meets the requirements of AASHTO M306\*.
- Grate provides 48% open area - 318 sq. in.

\*AASHTO M306 requires that castings bear a minimum of 40,000 pounds on a 9" x 9" area. This represents a 2.5 safety factor over the 16,000 pound requirement of H20 and HS20. This load designation is appropriate for general traffic applications. Loading criteria is 40,000 — 100,000 pounds.

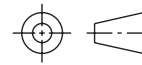
Base



*ACO Specification Information*



**2x2 Polyester polymer concrete catch basin**



| Description                                  | Part No.     | Invert Depth |     | Weight lbs. |
|--|--------------|--------------|-----|-------------|
|  |              | inches       | mm  |             |
| 2x2 Catch Basin - Polyester polymer concrete | <b>05719</b> | 25.63        | 651 | 192.0       |
| Grey iron frame & slot grate                 | <b>05720</b> | -            | -   | 191.0       |

| Part I - General   | Part II - Product   | Part III - Installation  |
|--|---|--|
| <p>1.1 <b>Related Work</b> - Work specified in other sections includes but is not limited to: Excavation and backfill, cast-in-place concrete, and mechanical equipment.</p> <p>1.2 <b>System Description</b> - 2 x 2 Catch basin manufactured from polyester polymer concrete, complete with gray iron slotted grate.</p> <p>1.3 <b>Submittals</b> - Manufacturer will submit, when required, shop drawings showing schematic plan of total drainage system listing all parts being provided with exact center-line dimensions suitable for installation. Copies of the manufacturer's recommended method of installation shall be submitted for review.</p> <p>1.4 <b>Project History</b> - Manufacturer shall submit a list of installed projects, if required.</p> <p>1.5 <b>Warranty</b> - ACO provides a limited product warranty of one year based on installation according to manufacturer's installation instruction data.</p> | <p>2.1 <b>Products</b> - Manufacturer shall be ACO, Inc.</p> <p>2.2 <b>Physical &amp; Mechanical Characteristics</b></p> <ul style="list-style-type: none"> <li>• Overall width - 27.87 inches (708mm)</li> <li>• Overall length - 27.87 inches (708mm)</li> <li>• Overall depth - 26.77 inches (680mm)</li> <li>• Invert depth - 25.63 inches (651mm)</li> <li>• Compressive strength - 14,000 psi</li> <li>• Flexural strength - 4,000 psi</li> <li>• Water absorption rate - &lt;0.1% by weight</li> </ul> <p>2.3 <b>Box Profile</b> - Pre-cast units shall be manufactured with drill-outs for channel and pipe connections and have a wall thickness of at least 0.75" (19mm).</p> <p>2.4 <b>Grates</b> - Grates are slotted gray iron. After removal of grates there shall be uninterrupted access to the catch basin to aid maintenance.</p> | <p>3.1 <b>Excavation</b> - Identify area for install. Full concrete encasement is required, excavate area large enough to fit catch basin plus a <b>minimum</b> of 6" of concrete on all four sides and base. Engineering advice should be sought as ground conditions may require additional concrete support.</p> <p>3.2 <b>Outlet Connections</b> - Each box has several drill-outs, which when removed, allow pipe to be connected to catch basin. Drill-outs are guides &amp; openings that can be positioned where required.</p> <p>3.3 <b>Connection of channels:</b> Catch basin can be used within a channel run. Remove sidewall to suit channel profile.</p> <p>3.4 <b>Back Fill</b> - Haunch around catch basin &amp; backfill with concrete of 4,000 psi minimum strength. Finish concrete to 1/8" above required grate height.</p> <p>3.5 <b>Install in strict accordance with manufacturer's recommendations &amp; drawings. Details available at <a href="http://www.ACOdrain.us">www.ACOdrain.us</a>.</b></p> |

*ACO Specification Information*

**ACO, Inc.**

**Northeast Sales Office**  
 9470 Pinecone Drive  
 Mentor, OH 44060  
 Tel: (440) 639-7230  
 Toll free: (800) 543-4764  
 Fax: (440) 639-7235

**West Sales Office**  
 825 W. Beechcraft St.  
 Casa Grande, AZ 85122  
 Tel: (520) 421-9988  
 Toll Free: (888) 490-9552  
 Fax: (520) 421-9899

**Southeast Sales Office**  
 4211 Pleasant Road  
 Fort Mill, SC 29708  
 Toll free: (800) 543-4764  
 Fax: (803) 802-1063

**Electronic Contact:**  
 info@acodrain.us  
 www.acodrain.us

