



### Product Features

- Certified to EN 1433 Load Class E - 135,000 lbs - 2,323 psi
- Supplied with ½ -13 x 1¼" hex head bolts to lock down grate
- Manufactured from ductile iron to ASTM A 536-84 - Grade 65-45-12
- E-coated for improved resistance against rust
- Bicycle Tire Penetration Resistant to AS 3996 - 2006
- Suitable for use with F660 catch basin



### Specifications

#### General

The surface drainage system shall be ACO Drain F660 catch basin with ductile iron slotted grate with bolt locking as manufactured by ACO Polymer Products, Inc. or similar approved.

#### Materials

The covers shall be manufactured from ductile iron and have **minimum** properties as follows:

- **Independently certified to meet Load Class E to EN 1433 - 135,000 lbs - 2,323 psi**
- **Ductile iron to ASTM A 536-84 - Grade 65-45-12**
- **Intake area of 130.0 sq. in. (838.7 cm<sup>2</sup>) per 24" grate**

The overall width of 14.75" (375mm) and overall length of 24" (610mm). Slots measure 5.3" (135mm) by 1.2" (30mm) and 6.1" (155mm) by 1.2" (30mm).

#### Installation

The trench drain\* or catch basin\* system and grates shall be installed in accordance with the manufacturer's installation instructions and recommendations.

\* delete as appropriate

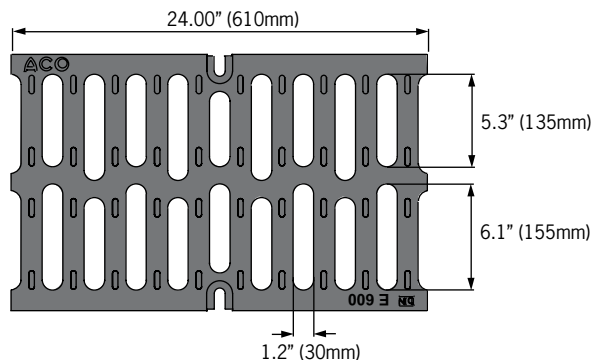
# ACO DRAIN

## F660 Slotted ductile iron grate



ACO Specification Information

**Plan view**



**Side elevation**



Description	Part No.	Length inches (mm)	Width inches (mm)	Weight lbs.
F660 Ductile iron slotted grate	<b>97449</b>	24.00 (610)	14.75 (375)	75.0
Replacement stainless steel hex head bolts (Qty 2)	<b>93892</b>	-	-	0.2

**ACO Polymer Products, Inc.**

**Northeast Sales Office**

P.O. Box 245  
Chardon, OH 44024  
Tel: (440) 285-7000  
Toll free: (800) 543-4764  
Fax: (440) 285-7005

**West Sales Office**

P.O. Box 12067  
Casa Grande, AZ 85130  
Tel: (520) 421-9988  
Toll Free: (888) 490-9552  
Fax: (520) 421-9899

**Southeast Sales Office**

4211 Pleasant Road  
Fort Mill, SC 29708  
Toll free: (800) 543-4764  
Fax: (803) 802-1063

**Follow us on**



**Electronic Contact:**

info@ACODrain.us  
www.ACODrain.us



© May 31, 2013 ACO Polymer Products, Inc. This information is believed to be accurate but it is not guaranteed to be so. We cannot assume liability for results that buyer obtains with our product since conditions of use are beyond the control of the company. It is the customer's responsibility to evaluate suitability and safety of product for his own use. ACO Polymer Products Inc. reserves the right to change the product and specifications without notice.