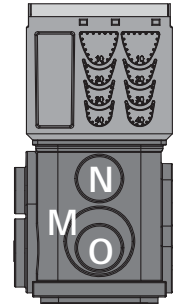
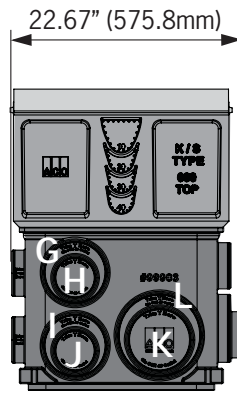
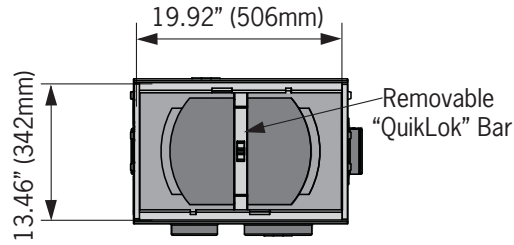
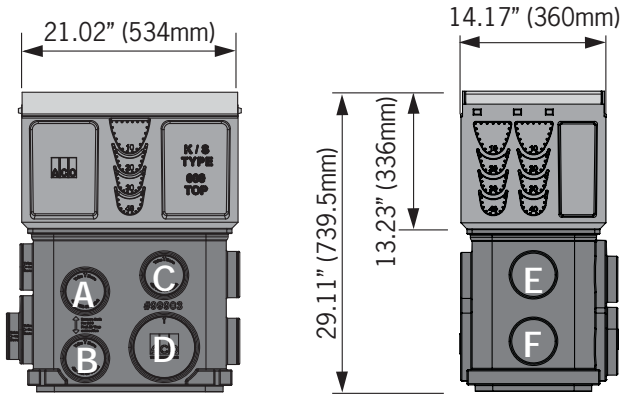
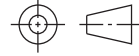


**K1-621S Catch Basin**

**K1-621S Catch Basin**



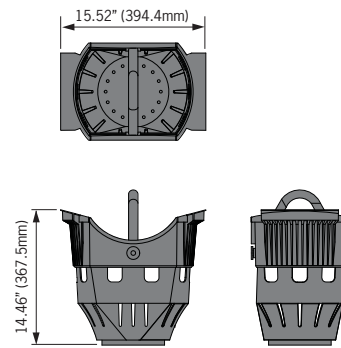
**Outlet flow rates**

Outlet	Product	Outlet size (Sch. 40)	Invert Depth	GPM	CFS
A	Type K1-621S	4" round	21.29"	239	0.53
B	Type K1-621S	4" round	27.79"	276	0.62
C	Type K1-621S	4" round	19.72"	229	0.51
D	Type K1-621S	6" round	27.79"	610	1.36
E	Type K1-621S	4" round	19.84"	230	0.51
F	Type K1-621S	4" round	26.34"	269	0.60
G	Type K1-621S	6" round	20.62"	514	1.15
H	Type K1-621S	4" round	20.07"	231	0.52
I	Type K1-621S	6" round	27.76"	609	1.36
J	Type K1-621S	4" round	27.19"	273	0.61
K	Type K1-621S	6" round	27.19"	602	1.34
L	Type K1-621S	8" round	27.76"	1061	2.36
M	Type K1-621S	6" round	26.28"	591	1.32
N	Type K1-621S	4" round	19.15"	225	0.50
O	Type K1-621S	4" round	25.86"	266	0.59

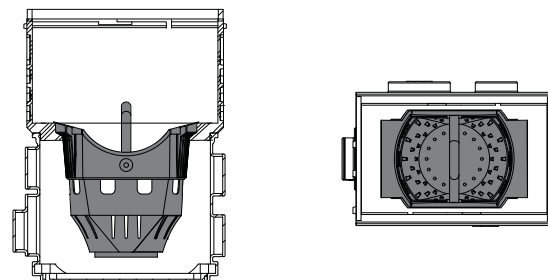
**Notes:**

1. These are the pipe flow rates at the specified outlet, **NOT** channel flow rates.  
\*Flow rates without trash bucket - using trash bucket or filter bag reduces flow rates.
2. 4" diameter foul air trap, part# 90854, can be fitted to catch basin base at outlet positions A/B and E/F

**Trash Bucket**



**Note:** Openings in trash bucket are 35.7<sup>-2</sup> (23,033mm<sup>2</sup>)



**Note:** Trash bucket position within K1-621S catch basin body and base

*ACO Specification Information*

# ACO DRAIN

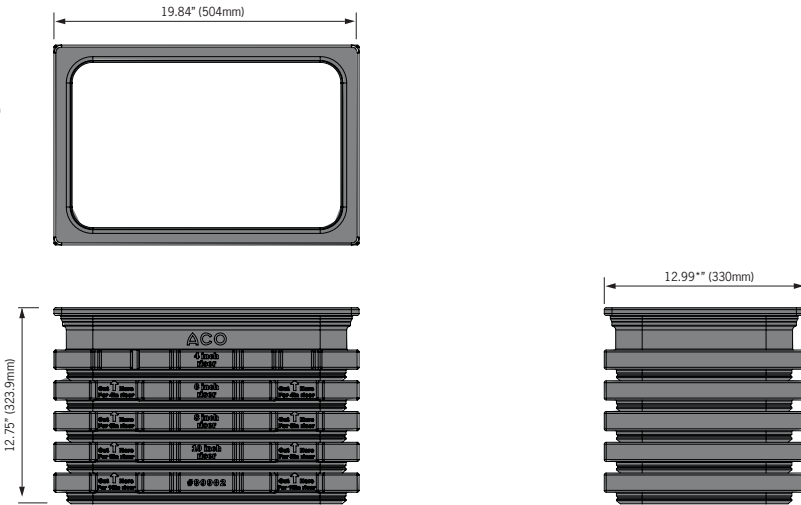
## K1-621S Catch Basin



ACO Specification Information

Description	Part No.	Invert Depth		Weight lbs.
		inches	mm	
Type K1-621S Catch basin assembly - top, removable "QuickLok" bar, trash bucket & base	94618	28.86	733.2	55.8
<b>Catch Basin Components</b>				
Type 600 optional riser	99902	40.86	1038	10.0
Foul air trap - fits both Type 900 & Type 600 basins	90854	-	-	1.2
QuickLok grate removal tool	01318	-	-	0.3

### Optional riser detail (Part# 99902)



**Notes:**

1. Riser can be cut down in 1" (25mm) increments.
2. Addition of riser will alter the outflow rates of base as shown on table overleaf.

Specifications		Salt proof	YES	Optional Riser	
		Dilute acid and alkali resistant	YES	Optional riser can be useful between polymer concrete top unit and LLDPE base unit. Use of riser is determined by access and local building codes.	
<b>General</b>		The nominal clear opening shall be 13.46" (342mm) wide by 19.92" (506mm) long. Overall width of 22.70" (575.8mm) by 15.38" (390.6mm) long. Type K1-621S catch basin assembly has overall depth of 29.11" (739.5mm). Polymer concrete top units shall incorporate a cast in stainless steel frame manufactured with drillouts for channel connection and have a wall thickness of at least 0.59" (15mm). Top units shall have horizontal cast in anchoring key features on the outside to ensure maximum mechanical bond to the surrounding bedding material and pavement surface. The base unit shall be a LLDPE plastic molding and incorporate molded plastic pipe stubbs to facilitate pipe connection.		<b>Grates</b>	Grates shall be specified. See separate ACO Spec Info grate sheets for details. After removal of grates and 'QuickLok' bar there shall be uninterrupted access to the basin to aid maintenance.
<b>Materials</b>		The top unit body shall be manufactured from polyester polymer concrete with minimum properties as follows:		<b>Installation</b>	
Compressive strength:	14,000 psi			The trench drain system shall be installed in accordance with the manufacturer's installation instructions and recommendations.	
Flexural strength:	4,000 psi				
Water absorption	0.07%				
Frost proof	YES				

**ACO Polymer Products, Inc.**

**Northeast Sales Office**  
P.O. Box 245  
Chardon, OH 44024  
Tel: (440) 285-7000  
Toll free: (800) 543-4764  
Fax: (440) 285-7005

**West Sales Office**  
P.O. Box 12067  
Casa Grande, AZ 85130  
Tel: (520) 421-9988  
Toll Free: (888) 490-9552  
Fax: (520) 421-9899

**Southeast Sales Office**  
4211 Pleasant Road  
Fort Mill, SC 29708  
Toll free: (800) 543-4764  
Fax: (803) 802-1063



**Electronic Contact:**  
info@ACODrain.us  
www.ACODrain.us



© April 9, 2013 ACO Polymer Products, Inc. This information is believed to be accurate but it is not guaranteed to be so. We cannot assume liability for results that buyer obtains with our product since conditions of use are beyond the control of the company. It is the customer's responsibility to evaluate suitability and safety of product for his own use. ACO Polymer Products Inc. reserves the right to change the product and specifications without notice.