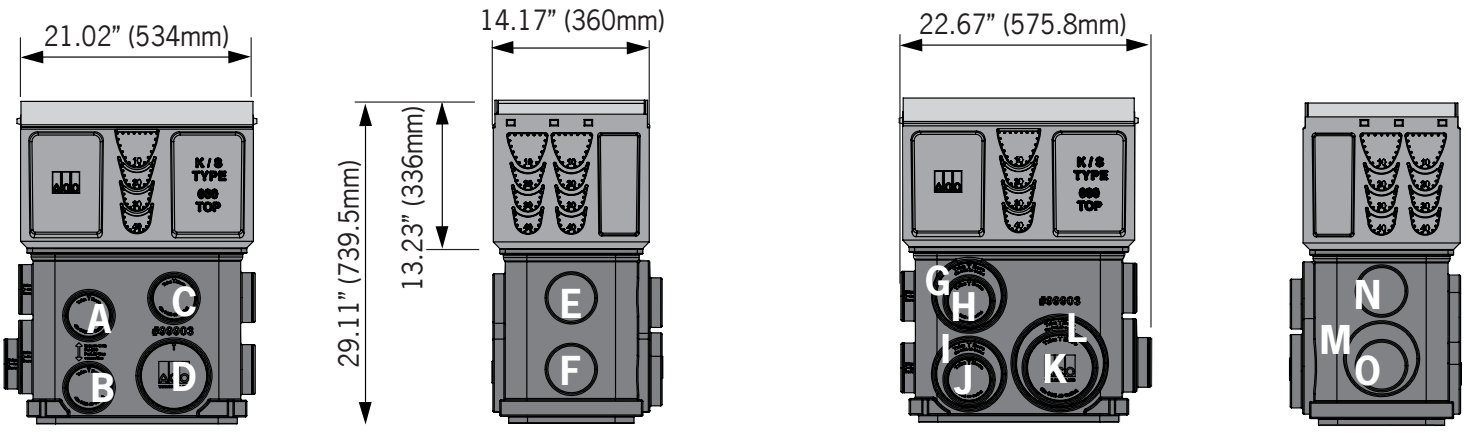


K2-621G Catch Basin



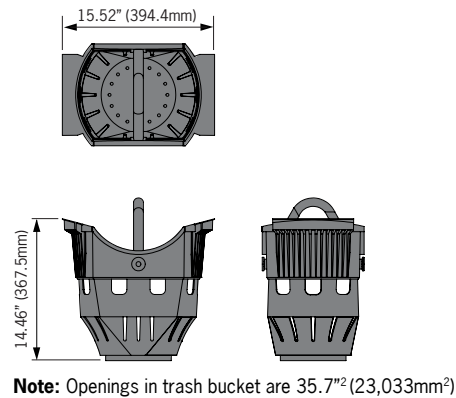
Outlet flow rates

| Outlet | Product | Outlet size (Sch. 40) | Invert Depth | GPM | CFS |
|--------|--------------|-----------------------|--------------|------|------|
| A | Type K2-621G | 4" round | 29.80" | 287 | 0.64 |
| B | Type K2-621G | 4" round | 36.29" | 319 | 0.71 |
| C | Type K2-621G | 4" round | 28.22" | 279 | 0.62 |
| D | Type K2-621G | 6" round | 36.29" | 707 | 1.57 |
| E | Type K2-621G | 4" round | 28.37" | 280 | 0.62 |
| F | Type K2-621G | 4" round | 34.87" | 312 | 0.70 |
| G | Type K2-621G | 6" round | 29.15" | 626 | 1.40 |
| H | Type K2-621G | 4" round | 28.59" | 281 | 0.63 |
| I | Type K2-621G | 6" round | 36.28" | 707 | 1.57 |
| J | Type K2-621G | 4" round | 35.72" | 316 | 0.70 |
| K | Type K2-621G | 6" round | 35.72" | 701 | 1.56 |
| L | Type K2-621G | 8" round | 36.28" | 1237 | 2.76 |
| M | Type K2-621G | 6" round | 34.78" | 690 | 1.54 |
| N | Type K2-621G | 4" round | 27.65" | 276 | 0.61 |
| O | Type K2-621G | 4" round | 34.36" | 310 | 0.69 |

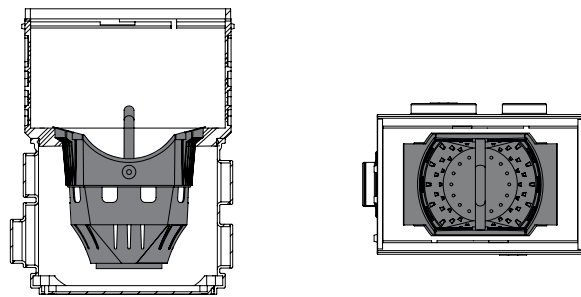
Notes:

- These are the pipe flow rates at the specified outlet, **NOT** channel flow rates.
*Flow rates without trash bucket - using trash bucket or filter bag reduces flow rates.
- 4" diameter foul air trap, part# 90854, can be fitted to catch basin base at outlet positions A/B and E/F.
- Fits KlassikDrain K200 systems.

Trash Bucket



Note: Openings in trash bucket are 35.7"² (23,033mm²)



Note: Trash bucket position within K2-621G catch basin body and base

ACO Specification Information

ACO DRAIN

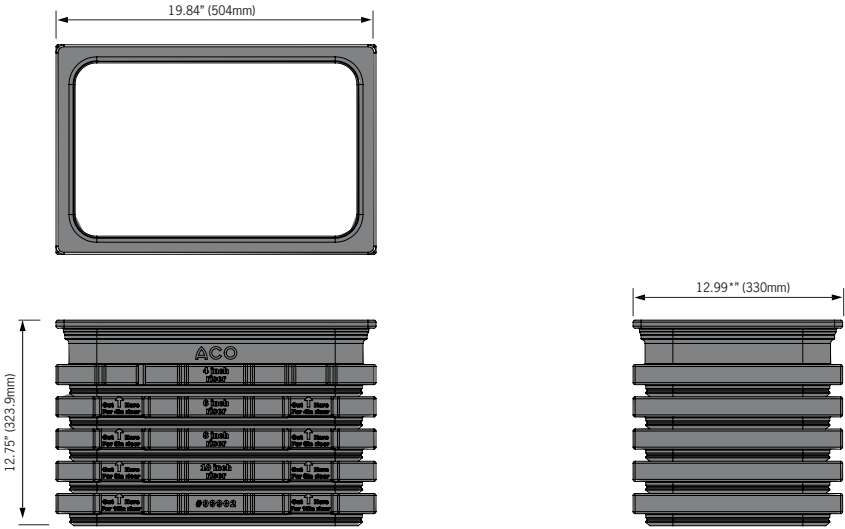
K2-621G Catch Basin



ACO Specification Information

| Description | Part No. | Invert Depth inches | mm | Weight lbs. |
|---|--------------|------------------------|-------|----------------|
| Type K2-621G Catch basin assembly - top, removable "QuickLok" bar, trash bucket & base | 94620 | 37.40 | 950 | 91.0 |
| Catch Basin Components | | | | |
| Type 600 optional riser | 99902 | 12.00 | 304.8 | 10.0 |
| Foul air trap - fits both Type 900 & Type 600 basins | 90854 | - | - | 1.2 |
| QuickLok grate removal tool | 01318 | - | - | 0.5 |

Optional riser detail (Part# 99902)



Notes:

- Riser can be cut down in 1" (25mm) increments.
- Addition of riser will alter the outflow rates of base as shown on table overleaf.

Specifications

General

The catch basin shall be ACO Drain K2-621G Catch Basin - comprising of top section, trash bucket and base as manufactured by ACO, Inc. or similar approved.

Materials

The top unit body shall be manufactured from polyester polymer concrete with minimum properties as follows:

| | |
|-----------------------|------------|
| Compressive strength: | 14,000 psi |
| Flexural strength: | 4,000 psi |
| Water absorption | 0.07% |
| Frost proof | YES |

| | |
|----------------------------------|-----|
| Salt proof | YES |
| Dilute acid and alkali resistant | YES |

The nominal clear opening shall be 14.25" (362mm) wide by 19.69" (500mm) long. Overall width of 22.67" (575.9mm) by 37.64" (956mm) long. Type K2-621G catch basin assembly has overall depth of 37.64" (956mm). Polymer concrete top units shall incorporate a cast in galvanized steel frame manufactured with drillouts for channel connection and have a wall thickness of at least 0.59" (15mm). Top units shall have horizontal cast in anchoring key features on the outside to ensure maximum mechanical bond to the surrounding bedding material and pavement surface. The base unit shall be a LLDPE plastic molding and incorporate molded plastic pipe stubbs to facilitate pipe connection.

Optional Riser

Optional riser can be used between polymer concrete top unit and LLDPE base unit. Use of riser is determined by access and local building codes.

Grates

Grates shall be specified. See separate ACO Spec Info grate sheets for details. After removal of grates and 'QuickLok' bar there shall be uninterrupted access to the catch basin to aid maintenance.

Installation

The trench drain/catch basin system shall be installed in accordance with the manufacturer's installation instructions and recommendations.

ACO, Inc.
Northeast Sales Office
 9470 Pinecone Drive
 Mentor, OH 44060
 Tel: (440) 639-7230
 Toll free: (800) 543-4764
 Fax: (440) 639-7235

West Sales Office
 825 W. Beechcraft St.
 Casa Grande, AZ 85122
 Tel: (520) 421-9988
 Toll Free: (888) 490-9552
 Fax: (520) 421-9899

Southeast Sales Office
 4211 Pleasant Road
 Fort Mill, SC 29708
 Toll free: (800) 543-4764
 Fax: (803) 802-1063



Electronic Contact:
 info@ACODrain.us
 www.ACODrain.us



© April 2018, ACO, Inc. This information is believed to be accurate but it is not guaranteed to be so. We cannot assume liability for results that buyer obtains with our product since conditions of use are beyond the control of the company. It is the customer's responsibility to evaluate suitability and safety of product for his own use. ACO, Inc. reserves the right to change the product and specifications without notice.