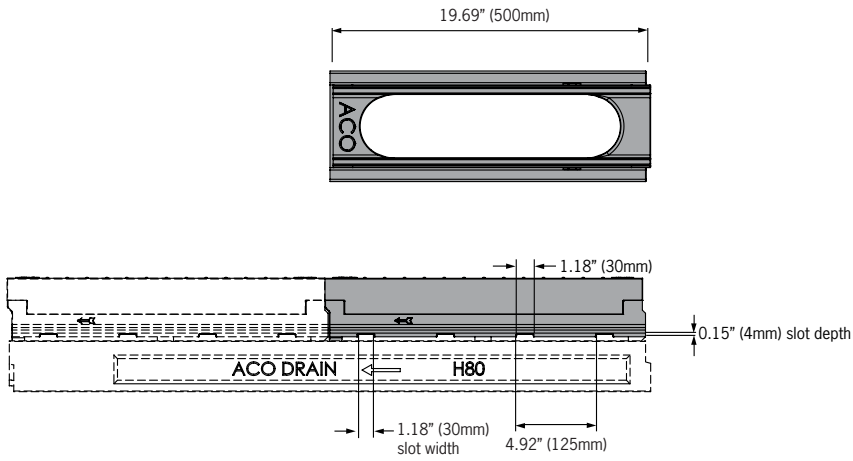
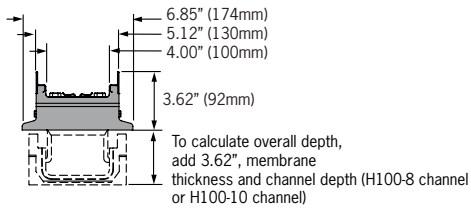




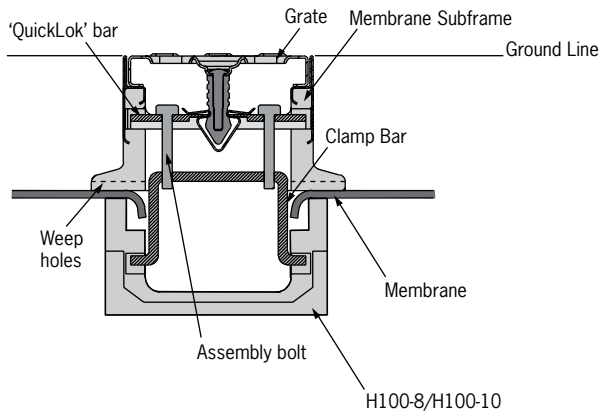
Half meter subframe



End view



Locking diagram



ACO Specification Information

ACO DRAIN

MembraneDrain - stainless steel edge rail subframe



ACO Specification Information

Description	Part No.	Invert Depth		Weight lbs.
		inches	mm	
Membrane subframe - stainless rail	96918	3.62	92	9.7
Clamping device stainless	96913	-	-	0.9

Notes:

- 1. Use KlassikDrain K100 grates
- 2. For channel refer to SlabDrain H100-8/H100-10

Specifications

General

The surface drainage system shall be ACO Drain Membrane Drain complete with grates, as manufactured by ACO Polymer Products, Inc. or equal approved.

Materials

The trench system bodies shall be manufactured from polyester polymer concrete with minimum properties as follows:

- Compressive strength: 14,000 psi
- Flexural strength: 4,000 psi
- Water absorption 0.07%
- Frost proof
- Salt proof
- Dilute acid and alkali resistant

The nominal clear opening shall be 4.00" (100mm) with overall width of 6.85" (174mm) and a wall thickness of at least 0.50" (13mm). Each unit will feature a male to female interconnecting end profile. Stainless steel edge rail will be integrally cast in by the manufacturer to ensure maximum homogeneity between polymer concrete body and edge rail. Each edge rail shall be at least 1/8" (3mm) thick. Clamping device shall allow for membranes up to 0.50" (12.7mm) in thickness. Weep hole openings - 1.18" x 0.15" (30mm x 4mm) along the side allow liquids collected on membrane to drain into channel.

Channels & Grates

H100-8/H100-10 channel and grates should be specified. See separate ACO Spec Info sheets for details.

Installation

The trench drain system shall be installed in accordance with the manufacturer's installation instructions and recommendations.

Note:

Product for use only in areas above rooms not used for habitation or services. For advice in these applications please contact ACO for alternatives.

ACO Polymer Products, Inc.

Northeast Sales Office

P.O. Box 245
Chardon, OH 44024
Tel: (440) 285-7000
Toll free: (800) 543-4764
Fax: (440) 285-7005

West Sales Office

P.O. Box 12067
Casa Grande, AZ 85130
Tel: (520) 421-9988
Toll Free: (888) 490-9552
Fax: (520) 421-9899

Southeast Sales Office

4211 Pleasant Road
Fort Mill, SC 29708
Toll free: (800) 543-4764
Fax: (803) 802-1063

Follow us on



Electronic Contact:

info@ACODrain.us
www.ACODrain.us



© November 2016 ACO Polymer Products, Inc. This information is believed to be accurate but it is not guaranteed to be so. We cannot assume liability for results that buyer obtains with our product since conditions of use are beyond the control of the company. It is the customer's responsibility to evaluate suitability and safety of product for his own use. ACO Polymer Products Inc. reserves the right to change the product and specifications without notice.