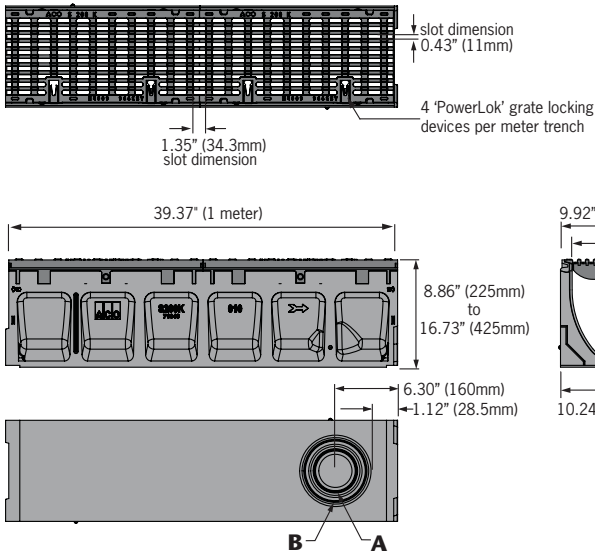


# ACO DRAIN

## PowerDrain - S200K iron edged channel system with longitudinal grate (ADA)

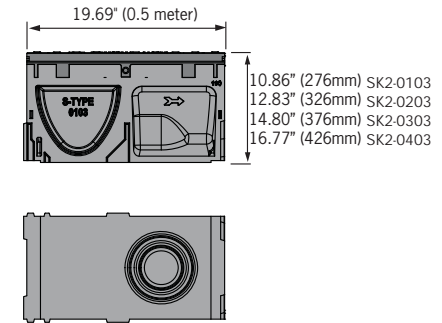
### One meter channel



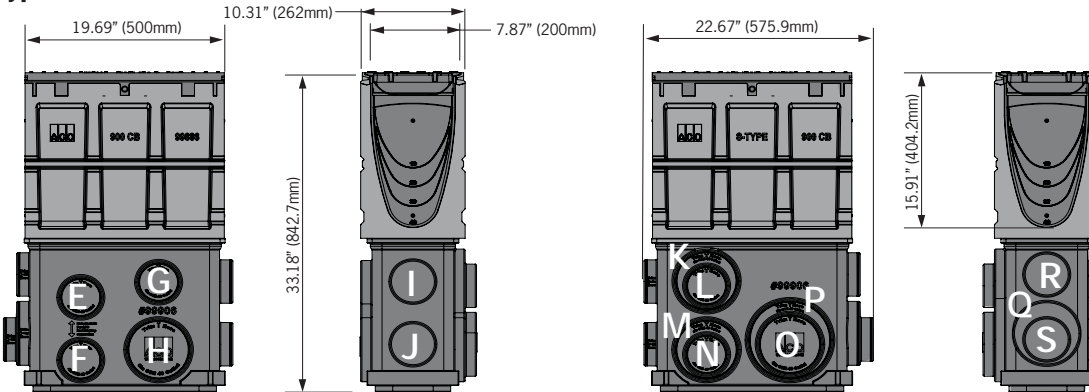
Knock-outs included on every 5th channel



### Half meter channel



### Type 902D In-line catch basin



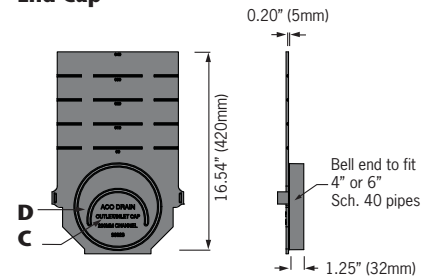
Total capacity = 19 gallons

### Outlet flow rates

Outlet	Product	Outlet size (Sch. 40)	Invert Depth	GPM	CFS
<b>A</b>	Bottom outlet - SK2-00	4" round	7.87"	153	0.34
<b>A</b>	Bottom outlet - SK2-040	4" round	15.75"	216	0.48
<b>B</b>	Bottom outlet - SK2-00	6" round	7.87"	344	0.77
<b>B</b>	Bottom outlet - SK2-040	6" round	15.75"	486	1.08
<b>C</b>	End outlet - SK2-00	4" round	7.87"	132	0.29
<b>C</b>	End outlet - SK2-40	4" round	15.75"	202	0.45
<b>D</b>	End outlet - SK2-10	6" round	9.84"	320	0.71
<b>D</b>	End outlet - SK2-40	6" round	15.75"	437	0.97
<b>E</b>	Type SK2-902D	4" round	25.33"	263	0.59
<b>F</b>	Type SK2-902D	4" round	31.83"	297	0.66
<b>G</b>	Type SK2-902D	4" round	23.76"	254	0.57
<b>H</b>	Type SK2-902D	6" round	31.83"	658	1.47
<b>I</b>	Type SK2-902D	4" round	23.91"	255	0.57
<b>J</b>	Type SK2-902D	4" round	30.40"	290	0.65
<b>K</b>	Type SK2-902D	6" round	24.68"	570	1.27
<b>L</b>	Type SK2-902D	4" round	24.13"	256	0.57
<b>M</b>	Type SK2-902D	6" round	31.82"	658	1.47
<b>N</b>	Type SK2-902D	4" round	31.26"	294	0.66
<b>O</b>	Type SK2-902D	6" round	31.26"	651	1.45
<b>P</b>	Type SK2-902D	8" round	31.82"	1149	2.56
<b>Q</b>	Type SK2-902D	6" round	30.32"	640	1.43
<b>R</b>	Type SK2-902D	4" round	23.19"	251	0.56
<b>S</b>	Type SK2-902D	4" round	29.90"	288	0.64

Note: These are the pipe flow rates at the specified outlet, NOT channel flow rates.\* Catch basin flow rates are without trash bucket - using trash bucket reduces flow.

### End Cap



ACO Specification Information

**ACO DRAIN**

**PowerDrain - S200K iron edged channel system with longitudinal grate (ADA)**



ACO Specification Information

Description	Part No.	Invert Inches <sup>2</sup>	mm <sup>2</sup>	Weight lbs.	Description	Part No.	Invert Inches <sup>2</sup>	mm <sup>2</sup>	Weight lbs.
SK2-00 Neutral channel - 39.37" (1m) <sup>Ⓟ</sup>	71141	7.87	200	133.7	SK2-28 Sloped channel - 39.37" (1m)	71128	13.38	340	163.5
SK2-1 Sloped channel - 39.37" (1m)	71101	8.07	205	133.7	SK2-29 Sloped channel - 39.37" (1m)	71129	13.58	345	164.6
SK2-2 Sloped channel - 39.37" (1m)	71102	8.26	210	134.8	SK2-30 Sloped channel - 39.37" (1m) <sup>Ⓟ</sup>	71130	13.77	350	165.7
SK2-3 Sloped channel - 39.37" (1m)	71103	8.46	215	135.9	<b>SK2-030 Neutral channel - 39.37" (1m)<sup>Ⓟ</sup></b>	<b>71147</b>	<b>13.77</b>	<b>350</b>	<b>165.7</b>
SK2-4 Sloped channel - 39.37" (1m)	71104	8.66	220	137.0	<b>SK2-0303 Neutral channel - 19.69" (0.5m)<sup>Ⓟ</sup></b>	<b>71148</b>	<b>13.77</b>	<b>350</b>	<b>97.6</b>
SK2-5 Sloped channel - 39.37" (1m) <sup>Ⓟ</sup>	71105	8.85	225	138.1	SK2-31 Sloped channel - 39.37" (1m)	71131	13.97	355	166.9
SK2-6 Sloped channel - 39.37" (1m)	71106	9.05	230	139.2	SK2-32 Sloped channel - 39.37" (1m)	71132	14.17	360	168.0
SK2-7 Sloped channel - 39.37" (1m)	71107	9.25	235	140.3	SK2-33 Sloped channel - 39.37" (1m)	71133	14.37	365	169.1
SK2-8 Sloped channel - 39.37" (1m)	71108	9.44	240	141.4	SK2-34 Sloped channel - 39.37" (1m)	71134	14.56	370	170.2
SK2-9 Sloped channel - 39.37" (1m)	71109	9.64	245	142.5	SK2-35 Sloped channel - 39.37" (1m) <sup>Ⓟ</sup>	71135	14.76	375	171.3
SK2-10 Sloped channel - 39.37" (1m) <sup>Ⓟ</sup>	71110	9.84	250	143.6	SK2-36 Sloped channel - 39.37" (1m)	71136	14.96	380	172.4
<b>SK2-010 Neutral channel - 39.37" (1m)<sup>Ⓟ</sup></b>	<b>71143</b>	<b>9.84</b>	<b>250</b>	<b>143.7</b>	SK2-37 Sloped channel - 39.37" (1m)	71137	15.15	385	173.5
<b>SK2-0103 Neutral channel - 19.69" (0.5m)<sup>Ⓟ</sup></b>	<b>71144</b>	<b>9.84</b>	<b>250</b>	<b>85.5</b>	SK2-38 Sloped channel - 39.37" (1m)	71138	15.35	390	174.6
SK2-11 Sloped channel - 39.37" (1m)	71111	10.03	255	144.7	SK2-39 Sloped channel - 39.37" (1m)	71139	15.55	395	175.7
SK2-12 Sloped channel - 39.37" (1m)	71112	10.23	260	145.8	SK2-40 Sloped channel - 39.37" (1m) <sup>Ⓟ</sup>	71140	15.74	400	176.8
SK2-13 Sloped channel - 39.37" (1m)	71113	10.43	265	146.9	<b>SK2-040 Neutral channel - 39.37" (1m)<sup>Ⓟ</sup></b>	<b>71149</b>	<b>15.74</b>	<b>400</b>	<b>176.8</b>
SK2-14 Sloped channel - 39.37" (1m)	71114	10.62	270	148.1	<b>SK2-0403 Neutral channel - 19.69" (0.5m)<sup>Ⓟ</sup></b>	<b>71150</b>	<b>15.74</b>	<b>400</b>	<b>106.4</b>
SK2-15 Sloped channel - 39.37" (1m) <sup>Ⓟ</sup>	71115	10.82	275	149.2	SK2-903D Inline catch basin - 19.69" (0.5m) <sup>Ⓟ</sup>	94619	37.36	949	106.1
SK2-16 Sloped channel - 39.37" (1m)	71116	11.02	280	150.3	SK2-904D Inline catch basin - 19.69" (0.5m) <sup>Ⓟ</sup>	94576	49.41	1255	158.0
SK2-17 Sloped channel - 39.37" (1m)	71117	11.22	285	151.4	SK2-631D catch basin - 19.69" (0.5m) <sup>Ⓟ</sup>	94580	49.41	1255	168.0
SK2-18 Sloped channel - 39.37" (1m)	71118	11.41	290	152.5	Series 600 Optional plastic riser	99902	-	-	10.0
SK2-19 Sloped channel - 39.37" (1m)	71119	11.61	295	153.6	Foul air trap - fits both 910 & 610 basins	90854	-	-	1.2
SK2-20 Sloped channel - 39.37" (1m) <sup>Ⓟ</sup>	71120	11.81	300	154.7	8" channel Universal end cap	96823	19.69	500	1.4
<b>SK2-020 Neutral channel - 39.37" (1m)<sup>Ⓟ</sup></b>	<b>71145</b>	<b>11.81</b>	<b>300</b>	<b>154.7</b>	Debris strainer for 4" bottom knockout	93488	-	-	0.2
<b>SK2-0203 Neutral channel - 19.69" (0.5m)<sup>Ⓟ</sup></b>	<b>71146</b>	<b>11.81</b>	<b>300</b>	<b>93.1</b>	8" channel Installation device	97478	-	-	4.0
SK2-21 Sloped channel - 39.37" (1m)	71121	12.00	305	155.8	Grate removal tool	01318	-	-	0.3
SK2-22 Sloped channel - 39.37" (1m)	71122	12.20	310	156.9					
SK2-23 Sloped channel - 39.37" (1m)	71123	12.40	315	158.0					
SK2-24 Sloped channel - 39.37" (1m)	71124	12.59	320	159.1					
SK2-25 Sloped channel - 39.37" (1m) <sup>Ⓟ</sup>	71125	12.79	325	160.2					
SK2-26 Sloped channel - 39.37" (1m)	71126	12.99	330	161.3					
SK2-27 Sloped channel - 39.37" (1m)	71127	13.18	335	162.4					

**Notes:**

- This channel offers bottom knockout feature: 6" & 8" round.
- Inverts shown are male end; for female invert depth subtract 5mm (≈0.2") from male invert (except neutral channels where it will be same as male invert). To calculate overall channel depth, add 25.4mm (1.0") to invert depth.
- Catch basin assembly includes polymer concrete top, PowerLok grate, trash bucket and plastic base.
- Catch basin assembly includes polymer concrete top, PowerLok grate, deep trash bucket, plastic riser and plastic base.
- Water intake per meter channel is 134.2 in<sup>2</sup> (865.80 cm<sup>2</sup>)

<b>Specifications</b>		Water absorption	0.07%	between polymer concrete body and edge rail. Each edge rail shall be at least 1/4" (6mm) thick.
<b>General</b> The surface drainage system shall be ACO Drain PowerDrain S200K complete with longitudinal ADA compliant gratings secured with 'PowerLok' locking as manufactured by ACO Polymer Products, Inc. or equal approved.		Frost proof	YES	<b>Grates</b> Grates come in longitudinal ductile iron. Ductile iron to ASTM 536-84 - Grade 65-45-12. After removal of grates there shall be uninterrupted access to the trench to aid maintenance.
		Salt proof	YES	
		Dilute acid and alkali resistant	YES	
		The nominal clear opening shall be 8" (200mm) with overall width of 10.24" (260mm). Pre-cast units shall be manufactured with either an invert slope of 0.5% or with neutral invert and have a wall thickness of at least 0.67" (16mm). Each unit will feature a partial radius in the trench bottom and a male to female interconnecting end profile. Units shall have horizontal cast in anchoring keys on the outside wall to ensure maximum mechanical bond to the surrounding bedding material and pavement surface. The ductile iron edge rail will be integrally cast in by the manufacturer to ensure maximum homogeneity		
<b>Materials</b> The trench system bodies shall be manufactured from polymer concrete with minimum properties as follows:	Compressive strength:	14,000 psi		<b>Installation</b> The trench drain system shall be installed in accordance with the manufacturer's installation instructions and recommendations.
	Flexural strength:	4,000 psi		

**ACO Polymer Products, Inc.**

**Northeast Sales Office**  
P.O. Box 245  
Chardon, OH 44024  
Tel: (440) 285-7000  
Toll free: (800) 543-4764  
Fax: (440) 285-7005

**West Sales Office**  
P.O. Box 12067  
Casa Grande, AZ 85130  
Tel: (520) 421-9988  
Toll Free: (888) 490-9552  
Fax: (520) 421-9899

**Southeast Sales Office**  
4211 Pleasant Road  
Fort Mill, SC 29708  
Toll free: (800) 543-4764  
Fax: (803) 802-1063



**Electronic Contact:**  
info@ACODrain.us  
www.ACODrain.us



© June 6, 2013, 2013 ACO Polymer Products, Inc. This information is believed to be accurate but it is not guaranteed to be so. We cannot assume liability for results that buyer obtains with our product since conditions of use are beyond the control of the company. It is the customer's responsibility to evaluate suitability and safety of product for his own use. ACO Polymer Products Inc. reserves the right to change the product and specifications without notice.