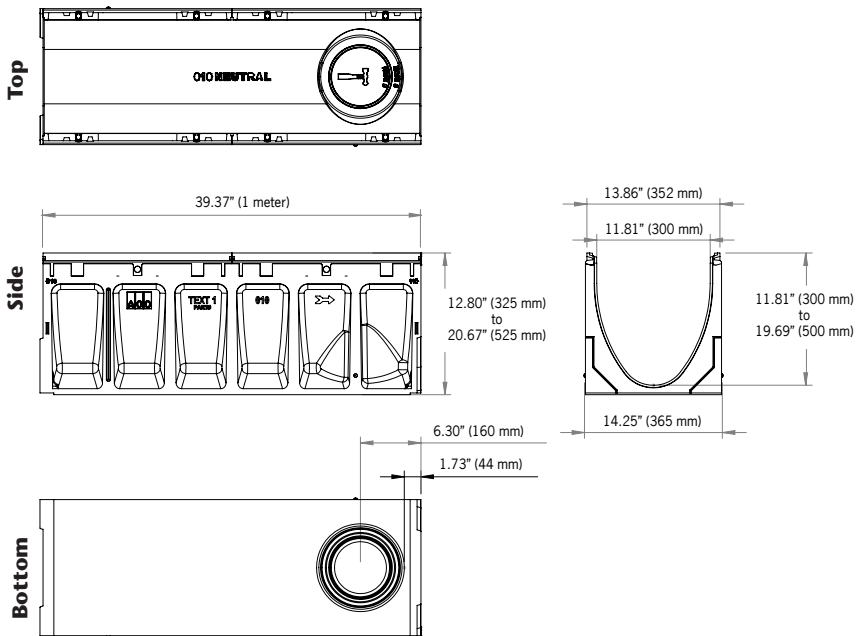
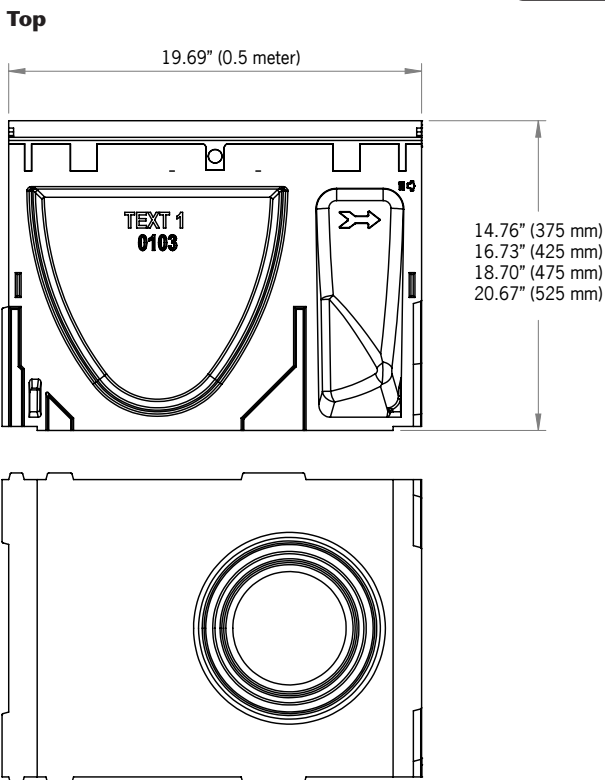


One meter channel

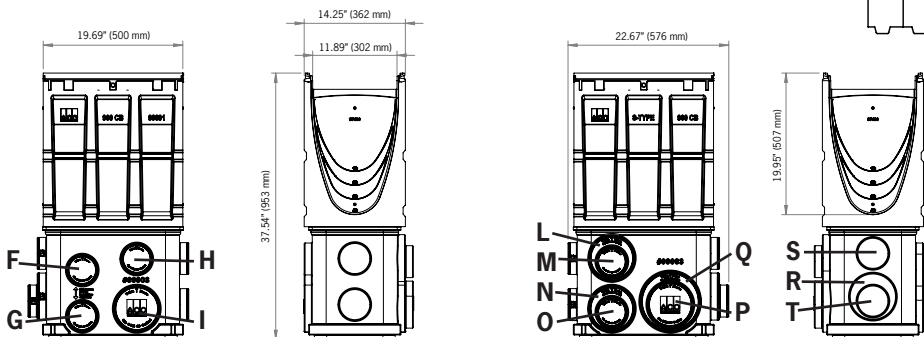


Knock-outs included on every 5th channel

Half meter channel



Type 903D In-line catch basin



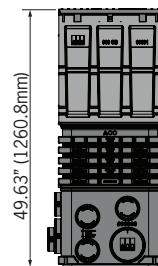
Total capacity = 15.59 gallons

Outlet	Product	Outlet size (Sch. 40)	Invert Depth	GPM	CFS
A	Bottom outlet - SK3-00	6" round	11.81"	421	0.94
A	Bottom outlet - SK3-040	6" round	19.69"	544	1.21
B	Bottom outlet -SK3-00	8" round	11.81"	748	1.67
B	Bottom outlet - SK3-040	8" round	19.69"	966	2.15
C	End outlet - SK3-00	6" round	11.81"	364	0.81
C	End outlet - SK3-40	6" round	19.69"	500	1.11
D	End outlet - SK3-10	8" round	13.78"	681	1.52
D	End outlet - SK3-40	8" round	19.69"	863	1.92
E	End outlet - SK3-20	10" round	15.75"	1116	2.49
E	End outlet - SK3-40	10" round	19.69"	1304	2.91
F	Type SK3-903D	4" round	29.80"	287	0.64
G	Type SK3-903D	4" round	36.29"	319	0.71
H	Type SK3-903D	4" round	28.22"	279	0.62
I	Type SK3-903D	6" round	36.29"	707	1.57
J	Type SK3-903D	4" round	28.37"	280	0.62
K	Type SK3-903D	4" round	34.87"	312	0.70
L	Type SK3-903D	6" round	29.15"	626	1.40
M	Type SK3-903D	4" round	28.59"	281	0.63
N	Type SK3-903D	6" round	36.28"	707	1.57
O	Type SK3-903D	4" round	35.72"	316	0.70
P	Type SK3-903D	6" round	35.72"	701	1.56
Q	Type SK3-903D	8" round	36.28"	1237	2.76
R	Type SK3-903D	6" round	34.78"	690	1.54
S	Type SK3-903D	4" round	27.65	276	0.61
T	Type SK3-903D	4" round	34.36	310	0.69

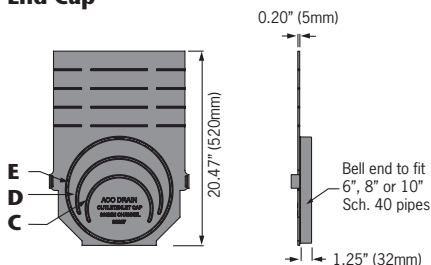
Note: These are the pipe flow rates at the specified outlet, NOT channel flow rates.* Catch basin flow rates are without trash bucket - using trash bucket reduces flow.

Type 904D In-line catch basin

- Notes:
- Riser can be cut dow in 1" (25mm) increments.
 - Maximum capacity including riser 27.82 gallons.
 - Add 12" (300mm) to all heights if using riser.
 - Outlet flow rates will be higher due to increased depth - contact ACO Sales Office for more details.



End Cap



ACO DRAIN

PowerDrain - S300K iron edged channels



ACO Specification Information

Description	Part No.	Invert Inches [Ⓜ]	Invert mm [Ⓜ]	Weight lbs.
SK3-00 Constant depth channel - 39.37" (1m)[Ⓜ]	69041	11.81	300	140.0
SK3-1 Sloped channel - 39.37" (1m)	69001	12.01	305	140.0
SK3-2 Sloped channel - 39.37" (1m)	69002	12.20	310	141.3
SK3-3 Sloped channel - 39.37" (1m)	69003	12.40	315	142.8
SK3-4 Sloped channel - 39.37" (1m)	69004	12.60	320	144.1
SK3-5 Sloped channel - 39.37" (1m) [Ⓜ]	69005	12.80	325	145.4
SK3-6 Sloped channel - 39.37" (1m)	69006	12.99	330	146.9
SK3-7 Sloped channel - 39.37" (1m)	69007	13.19	335	148.2
SK3-8 Sloped channel - 39.37" (1m)	69008	13.39	340	149.5
SK3-9 Sloped channel - 39.37" (1m)	69009	13.58	345	150.9
SK3-10 Sloped channel - 39.37" (1m) [Ⓜ]	69010	13.78	350	152.3
SK3-010 Constant depth channel - 39.37" (1m)[Ⓜ]	69042	13.78	350	152.3
SK3-0103 Constant depth channel - 19.69" (0.5m)[Ⓜ]	69045	13.78	350	84.2
SK3-11 Sloped channel - 39.37" (1m)	69011	13.98	355	153.6
SK3-12 Sloped channel - 39.37" (1m)	69012	14.17	360	155.0
SK3-13 Sloped channel - 39.37" (1m)	69013	14.37	365	156.4
SK3-14 Sloped channel - 39.37" (1m)	69014	14.57	370	157.7
SK3-15 Sloped channel - 39.37" (1m) [Ⓜ]	69015	14.76	375	149.1
SK3-16 Sloped channel - 39.37" (1m)	69016	14.96	380	160.5
SK3-17 Sloped channel - 39.37" (1m)	69017	15.16	385	161.9
SK3-18 Sloped channel - 39.37" (1m)	69018	15.35	390	163.2
SK3-19 Sloped channel - 39.37" (1m)	69019	15.55	395	164.6
SK3-20 Sloped channel - 39.37" (1m) [Ⓜ]	69020	15.75	400	166.0
SK3-020 Constant depth channel - 39.37" (1m)[Ⓜ]	69044	15.75	400	166.0
SK3-0203 Constant depth channel - 19.69" (0.5m)[Ⓜ]	69047	15.75	400	92.0
SK3-21 Sloped channel - 39.37" (1m)	69021	15.94	405	167.3
SK3-22 Sloped channel - 39.37" (1m)	69022	16.14	410	168.7
SK3-23 Sloped channel - 39.37" (1m)	69023	16.34	415	170.1
SK3-24 Sloped channel - 39.37" (1m)	69024	16.54	420	171.4
SK3-25 Sloped channel - 39.37" (1m) [Ⓜ]	69025	16.73	425	172.7
SK3-26 Sloped channel - 39.37" (1m)	69026	16.93	430	174.2
SK3-27 Sloped channel - 39.37" (1m)	69027	17.13	435	175.5

Description	Part No.	Invert Inches [Ⓜ]	Invert mm [Ⓜ]	Weight lbs.
SK3-28 Sloped channel - 39.37" (1m)	69028	17.32	440	176.8
SK3-29 Sloped channel - 39.37" (1m)	69029	17.52	445	178.3
SK3-30 Sloped channel - 39.37" (1m) [Ⓜ]	69030	17.72	450	179.6
SK3-030 Constant depth channel - 39.37" (1m)[Ⓜ]	69046	17.72	450	179.6
SK3-0303 Constant depth channel - 19.69" (0.5m)[Ⓜ]	69049	17.72	450	100.0
SK3-31 Sloped channel - 39.37" (1m)	69031	17.91	455	180.9
SK3-32 Sloped channel - 39.37" (1m)	69032	18.11	460	182.4
SK3-33 Sloped channel - 39.37" (1m)	69033	18.31	465	183.7
SK3-34 Sloped channel - 39.37" (1m)	69034	18.50	470	185.0
SK3-35 Sloped channel - 39.37" (1m) [Ⓜ]	69035	18.70	475	186.5
SK3-36 Sloped channel - 39.37" (1m)	69036	18.90	480	187.7
SK3-37 Sloped channel - 39.37" (1m)	69037	19.09	485	189.1
SK3-38 Sloped channel - 39.37" (1m)	69038	19.29	490	190.5
SK3-39 Sloped channel - 39.37" (1m)	69039	19.49	495	191.9
SK3-40 Sloped channel - 39.37" (1m) [Ⓜ]	69040	19.69	500	193.2
SK3-040 Constant depth channel - 39.37" (1m)[Ⓜ]	69048	19.69	500	193.2
SK3-0403 Constant depth channel - 19.69" (0.5m)[Ⓜ]	69050	19.69	500	109.0
SK3-903D In-line catch basin - 19.69" (0.5m) [Ⓜ]	69053	37.40	950	99.4
SK3-904D In-line catch basin - 19.69" (0.5m) [Ⓜ]	69054	49.53	1258	104.4
Series 600 Optional plastic riser	99902	-	-	10.0
Foul air trap - fits both 910 & 610 basins	90854	-	-	1.2
SK3 channel Universal end cap	96827	19.69	500	2.5
SK3 channel Installation device	97479	-	-	4.9
Grate removal tool	01318	-	-	0.3
SK3 ductile iron slotted grate [Ⓢ]	02445	-	-	50.0
SK3 ductile iron longitudinal ADA grate [Ⓢ]	96833	-	-	64.0
SK3 ductile iron 4-bolt	99592	-	-	50.2

Notes:

1. This channel offers bottom knockout feature: 6" & 8" round.
2. Inverts shown are male end; for female invert depth subtract 5mm (≈0.2") from male invert (except neutral channels where it will be same as male invert). To calculate overall channel depth, add 20mm (0.79") to invert depth.
3. Catch basin assembly includes grate, polymer concrete top, trash bucket and plastic base.
4. Catch basin assembly includes grate, polymer concrete top, deep trash bucket, plastic riser and plastic base.
5. See 12" width ductile iron grate specification info for grate details.

Specifications	General	Materials	Installation
Frost proof YES Salt proof YES Dilute acid and alkali resistant YES The nominal clear opening shall be 12" (300mm) with overall width of 10.24" (260mm). Pre-cast units shall be manufactured with either an invert slope of 0.5% or with neutral invert and have a wall thickness of at least 0.67" (16mm). Each unit will feature a partial radius in the trench bottom and a male to female interconnecting end profile. Units shall have horizontal cast in anchoring keys on the outside wall to ensure maximum mechanical bond to the surrounding bedding material and pavement surface. The ductile iron edge rail will be integrally cast in by the manufacturer to ensure maximum homogeneity between polymer concrete body and edge rail. Each	The surface drainage system shall be ACO Drain PowerDrain S300K as manufactured by ACO Polymer Products, Inc. or equal approved. (Add appropriate grate - see grate spec information). The trench system bodies shall be manufactured from polymer concrete with minimum properties as follows: Compressive strength: 14,000 psi Flexural strength: 4,000 psi Water absorption: 0.07%	edge rail shall be at least 1/4" (6mm) thick. The trench drain system shall be installed in accordance with the manufacturer's installation instructions and recommendations.	

ACO Polymer Products, Inc.

Northeast Sales Office
 9470 Pinecone Dr.
 Mentor, OH 44060
 Tel: (440) 639-7230
 Toll free: (800) 543-4764
 Fax: (440) 639-7235

West Sales Office
 825 W. Beechcraft St.
 Casa Grande, AZ 85122
 Tel: (520) 421-9988
 Toll Free: (888) 490-9552
 Fax: (520) 421-9899

Southeast Sales Office
 4211 Pleasant Road
 Fort Mill, SC 29708
 Toll free: (800) 543-4764
 Fax: (803) 802-1063



Electronic Contact:
 info@ACODrain.us
 www.ACODrain.us



© September 2016 ACO Polymer Products, Inc. This information is believed to be accurate but it is not guaranteed to be so. We cannot assume liability for results that buyer obtains with our product since conditions of use are beyond the control of the company. It is the customer's responsibility to evaluate suitability and safety of product for his own use. ACO Polymer Products Inc. reserves the right to change the product and specifications without notice.