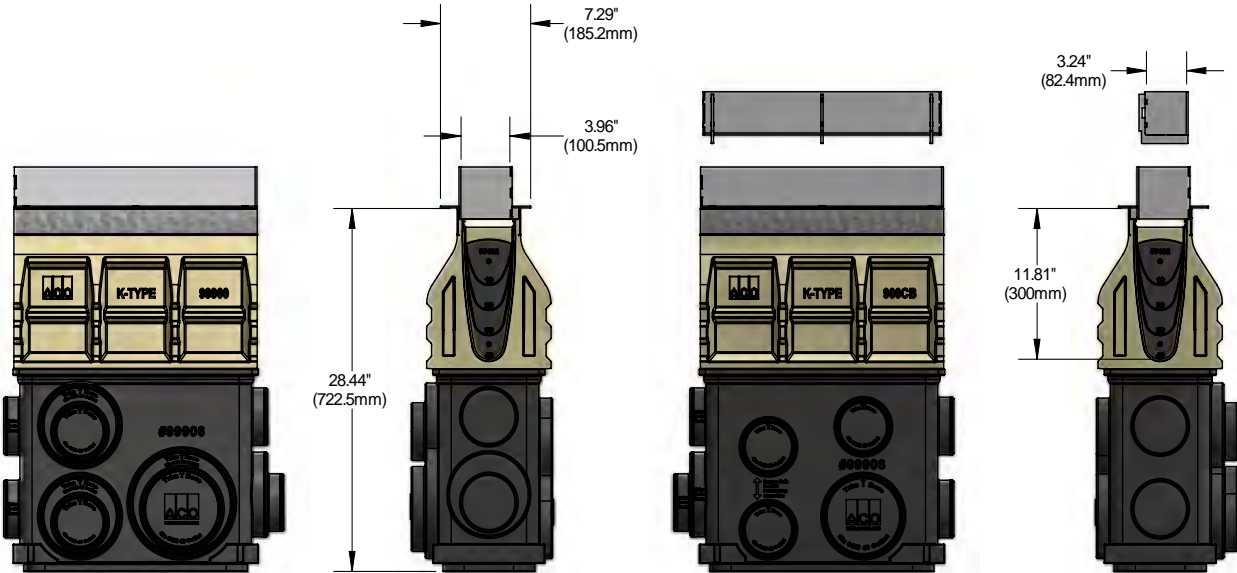
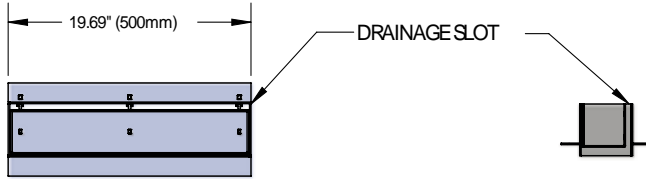
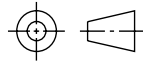


# ACO DRAIN

## Type 484 Brickslot 100 access unit - stainless steel

Access unit (may be used with catch basin and can also be used with channels)



Description	Part No.	Overall Depth		Weight
		in	mm	
Type 484 Brickslot 100 Access Unit - 19.69" (0.5 m)	<b>138047</b>	4.06	103	16.4

### Specifications

#### General

The surface drainage system shall be ACO Drain Brickslot, as manufactured by ACO Polymer Products, Inc. or equal approved.

#### Materials

The Brickslot top is manufactured from 11 gauge stainless steel.

The nominal clear opening for Brickslot is 1/2" (12 mm) with overall width of 4.84" (123 mm). An offset slot helps prevent debris from being trapped. For use with K100, KS100, MembraneDrain, SlabDrain (H100-10, H100-8, H100K-8, H100KS-8), and the K100 Series 900 catch basin. See separate ACO Spec info sheet for channel details. Brickslot rests in the grate seating of the channel, the anti-shunt lugs help prevent lateral movement and the weight of covering material keeps the unit secured. Access units have frames that fit catch basins with a separate unit that can be removed for maintenance.

#### Installation

The trench drain system shall be installed in accordance with the manufacturer's installation instructions and recommendations.

ACO Specification Information

#### ACO Polymer Products, Inc.

**Northeast Sales Office**  
9470 Pinecone Drive  
Mentor, OH 44060  
Tel: (440) 639-7230  
Toll free: (800) 543-4764  
Fax: (440) 639-7235

**West Sales Office**  
825 W. Beechcraft St.  
Casa Grande, AZ 85122  
Tel: (520) 421-9988  
Toll Free: (888) 490-9552  
Fax: (520) 421-9899

**Southeast Sales Office**  
4211 Pleasant Road  
Fort Mill, SC 29708  
Toll free: (800) 543-4764  
Fax: (803) 802-1063

#### Follow us on



**Electronic Contact:**  
info@ACODrain.us  
www.ACODrain.us



© April 2017 ACO Polymer Products, Inc. This information is believed to be accurate but it is not guaranteed to be so. We cannot assume liability for results that buyer obtains with our product since conditions of use are beyond the control of the company. It is the customer's responsibility to evaluate suitability and safety of product for his own use. ACO Polymer Products Inc. reserves the right to change the product and specifications without notice.