

### Specifications

#### General

The surface drainage system shall be ACO Drain Brickslot, as manufactured by ACO Polymer Products, Inc. or equal approved.

#### Materials

The Brickslot top is manufactured from 16 gauge galvanized steel.

The nominal clear opening for Brickslot slot is 7/16" (11mm) with overall width of 4.84" (123mm). Tapered slot prevents debris from being trapped. For use with K200 and KS200 channels. See separate ACO Spec info sheet for channel details. Brickslot is secured by 'DrainLok' boltless locking system.

#### Installation

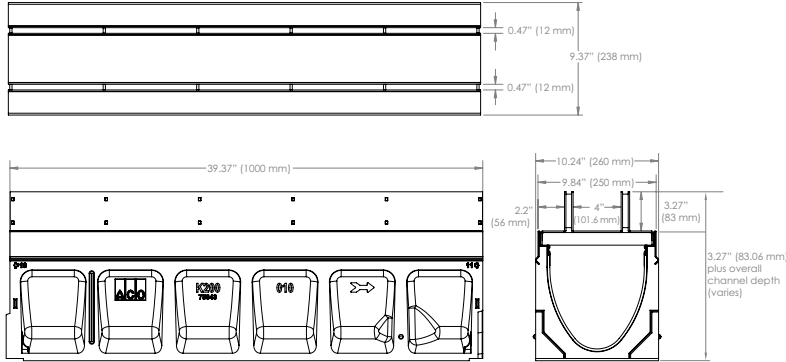
The trench drain system shall be installed in accordance with the manufacturer's installation instructions and recommendations.

ACO Specification Information

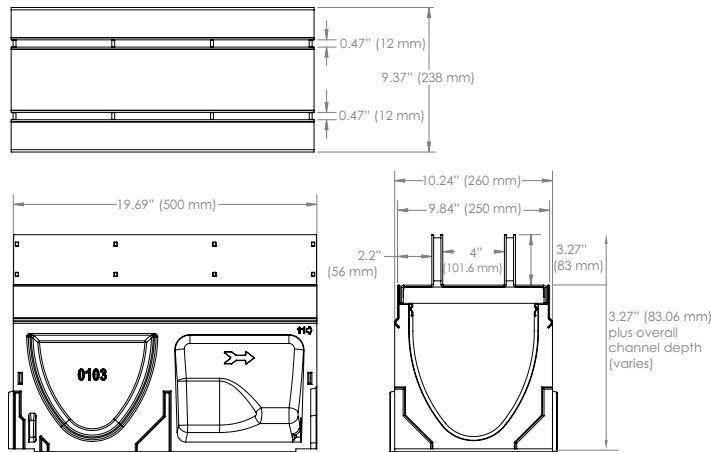
# ACO DRAIN

## Type 641/642 Galvanized Twinslot 200

One meter unit



Half meter unit



Description	Part No.	Overall Depth in.	Overall Depth mm	Weight lbs.
Type 641/642 - Twinslot 200 - 39.37" (1m) Galvanized Steel	<b>138060</b>	4.45	113	36.3
Type 641/642 - Twinslot 200 - 19.69" (0.5m) Galvanized Steel	<b>138061</b>	4.45	113	18.7

**Notes:**

1. For use with K200 and KS200 channels, and Series 900 catch basins.
2. Brickslot can also be used with SlabDrain HK channels.

ACO Specification Information

**ACO Polymer Products, Inc.**

**Northeast Sales Office**  
 9470 Pinecone Drive  
 Mentor, OH 44060  
 Tel: (440) 639-7230  
 Toll free: (800) 543-4764  
 Fax: (440) 639-7235

**West Sales Office**  
 825 W. Beechcraft St.  
 Casa Grande, AZ 85122  
 Tel: (520) 421-9988  
 Toll Free: (888) 490-9552  
 Fax: (520) 421-9899

**Southeast Sales Office**

4211 Pleasant Road  
 Fort Mill, SC 29708  
 Toll free: (800) 543-4764  
 Fax: (803) 802-1063

**Follow us on**



**Electronic Contact:**

info@ACODrain.us  
 www.ACODrain.us



© November 2016 ACO Polymer Products, Inc. This information is believed to be accurate but it is not guaranteed to be so. We cannot assume liability for results that buyer obtains with our product since conditions of use are beyond the control of the company. It is the customer's responsibility to evaluate suitability and safety of product for his own use. ACO Polymer Products Inc. reserves the right to change the product and specifications without notice.