

Type 679Q Mosaic ductile iron grate



Product Features

- Certified to EN 1433 Load Class C - 56,000 lbs - 1,162 psi
- Uses 'QuickLok' boltless locking system
- Suitable for use with K200, KS200, H200K-13, and H200KS-13 channels
- Manufactured from ductile iron to ASTM A 536-84 - Grade 65-45-12
- E- coated for improved resistance against rust
- Complies with ADA - American Disabilities Act of 1990 Section 4.5.4
- Bicycle Tire Penetration Resistant to AS 3996 - 2006



ACO Specification Information

Specifications

General

The surface drainage system shall be ACO Drain K200, KS200, H200K-13, and H200KS-13, channels* complete with ACO Type 679Q Mosaic ductile iron grate with 'QuickLok' locking as manufactured by ACO Polymer Products, Inc. or similar approved.

Materials

The covers shall be manufactured from ductile iron and have **minimum** properties as follows:

- **Independently certified to meet Load Class C to EN 1433 - 56,000 lbs - 1,162 psi**
- **Ductile iron to ASTM A 536-84 - Grade 65-45-12**
- **Intake area of 38.3 sq. in. (247.10 cm²) per half meter of grate**

The overall width of 9.41" (239mm) and overall length of 19.69" (500mm). Slots measure at a maximum of 0.98" (25mm).

Installation

The trench drain system and grates shall be installed in accordance with the manufacturer's installation instructions and recommendations.

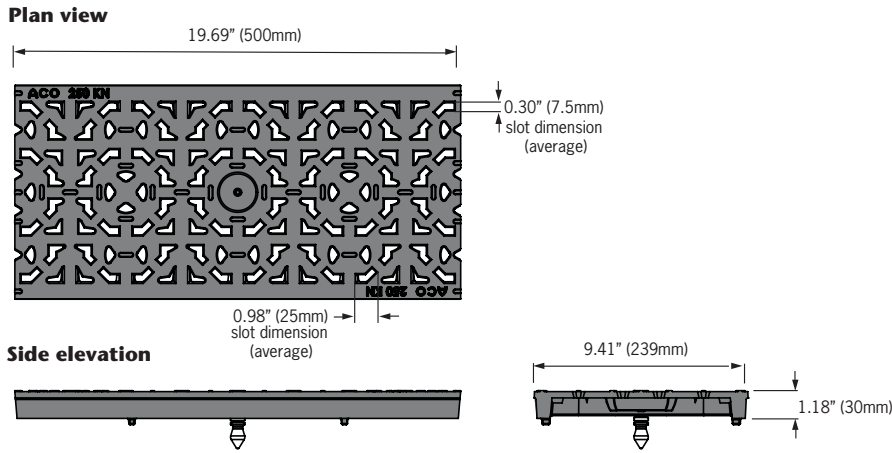
* delete as appropriate

ACO DRAIN

Type 679Q Mosaic ductile iron grate

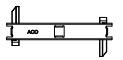
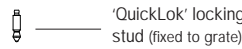
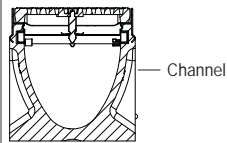


ACO Specification Information



Description	Part No.	Length inches (mm)	Width inches (mm)	Weight lbs.
QuickLok grate				
Type 679Q Mosaic ductile iron grate	93957	19.69 (500)	9.41 (239)	34.0
QuickLok locking bar	10457	-	-	0.5
QuickLok grate removal tool	01318	-	-	0.3

'QuickLok' locking mechanism



ACO 'QuickLok' is a patented boltless locking system, grates are removed and replaced with the minimum time and effort for ease of maintenance. The unique design provides a positive 'snap down' fit into the locking bar. A stud is fixed to the grate which 'locks' into the spring clip in the locking bar.

The 'QuickLok' stud is made from stainless steel and high density nylon, the locking bar and clip are stainless steel, for use in both general purpose and corrosive environments.

ACO Polymer Products, Inc.

Northeast Sales Office
 P.O. Box 245
 Chardon, OH 44024
 Tel: (440) 285-7000
 Toll free: (800) 543-4764
 Fax: (440) 285-7005

West Sales Office
 P.O. Box 12067
 Casa Grande, AZ 85130
 Tel: (520) 421-9988
 Toll Free: (888) 490-9552
 Fax: (520) 421-9899

Southeast Sales Office
 4211 Pleasant Road
 Fort Mill, SC 29708
 Toll free: (800) 543-4764
 Fax: (803) 802-1063

Follow us on



Electronic Contact:
 info@ACODrain.us
 www.ACODrain.us



© April 12, 2013 ACO Polymer Products, Inc. This information is believed to be accurate but it is not guaranteed to be so. We cannot assume liability for results that buyer obtains with our product since conditions of use are beyond the control of the company. It is the customer's responsibility to evaluate suitability and safety of product for his own use. ACO Polymer Products Inc. reserves the right to change the product and specifications without notice.