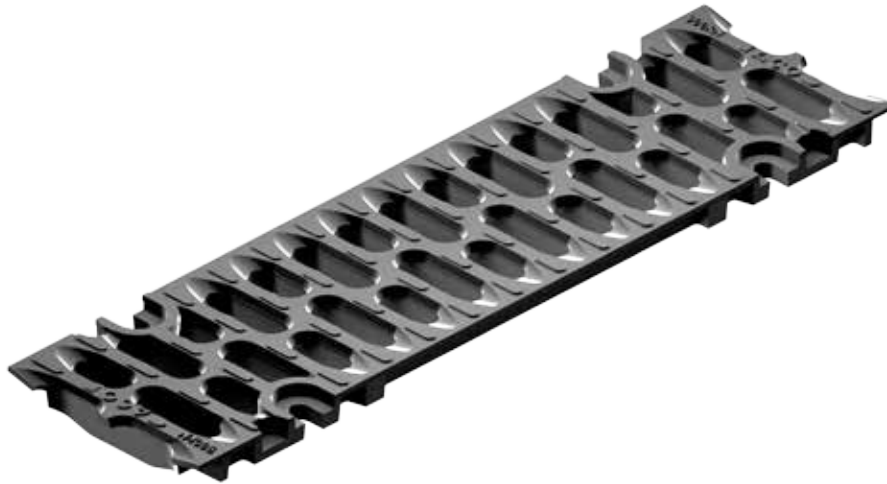




Product Features

- Certified to EN 1433 Load Class F - 200,000 lbs - 4,177 psi
- Uses '4-bolt' boltless locking system
- Suitable for use with S100K and H100SK-10 channels
- Manufactured from ductile iron to ASTM A 536-84 - Grade 65-45-12
- Bicycle Tire Penetration Resistant to AS 3996 - 2006



Specifications

General

The surface drainage system shall be ACO PowerDrain or SlabDrain, complete with ACO 4 Bolt iron grate with '4-bolt' locking as manufactured by ACO Polymer Products, Inc. or similar approved.

Materials

The covers shall be manufactured from ductile iron and have **minimum** properties as follows:

- **Independently certified to meet Load Class F to EN 1433 - 200,000 lbs - 4,177psi**
- **Ductile iron to ASTM A 536-84 - Grade 65-45-12**
- **Intake area of 36 sq. in. (232.25 cm²) per half meter of grate**

The overall width of 4.85" (123mm) and overall length of 19.69" (500mm). Slots measure at 0.71"(18.03mm) by 1.81" (45.97mm).

Installation

The trench drain system and grates shall be installed in accordance with the manufacturer's installation instructions and recommendations.

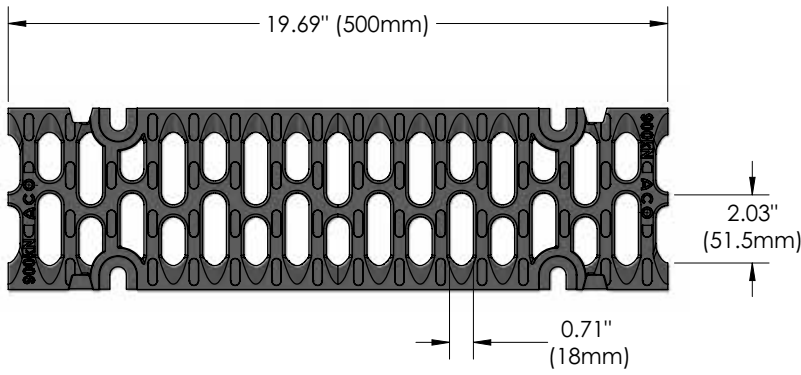
* delete as appropriate

ACO DRAIN

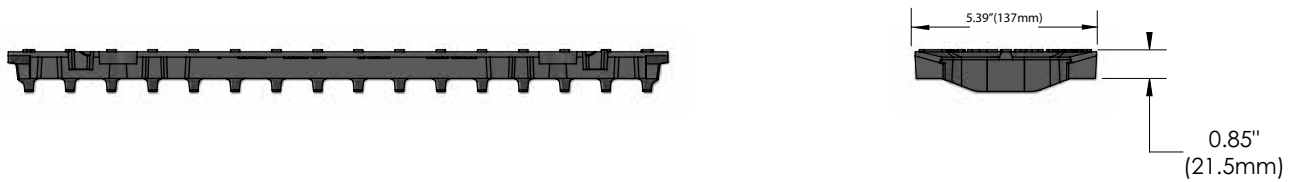
S100K 4-Bolt ductile iron grate



Plan view



Side elevation



Description	Part No.	Length inches (mm)	Width inches (mm)	Weight lbs.
4-bolt grate Type 4-bolt ductile iron grate	99590	19.69 (500)	4.85 (123.1)	10.8

'4-Bolt' locking mechanism



ACO offers a 4-bolt locking solution for applications requiring more security. The four threaded stainless steel inserts in the PowerDrain channel body allow a 4-bolt grate to be bolted into the channel for ultimate stiffness and security. Tamper resistant bolts can also be used.

ACO Polymer Products, Inc.

Northeast Sales Office
9470 Pinecone Drive
Mentor, OH 44060
Tel: (440) 639-7230
Toll free: (800) 543-4764
Fax: (440) 639-7235

West Sales Office
825 W. Beechcraft St.
Casa Grande, AZ 85122
Tel: (520) 421-9988
Toll Free: (888) 490-9552
Fax: (520) 421-9899

Southeast Sales Office

4211 Pleasant Road
Fort Mill, SC 29708
Toll free: (800) 543-4764
Fax: (803) 802-1063

Follow us on



Electronic Contact:

info@ACODrain.us
www.ACODrain.us



© October 2016 ACO Polymer Products, Inc. This information is believed to be accurate but it is not guaranteed to be so. We cannot assume liability for results that buyer obtains with our product since conditions of use are beyond the control of the company. It is the customer's responsibility to evaluate suitability and safety of product for his own use. ACO Polymer Products Inc. reserves the right to change the product and specifications without notice.