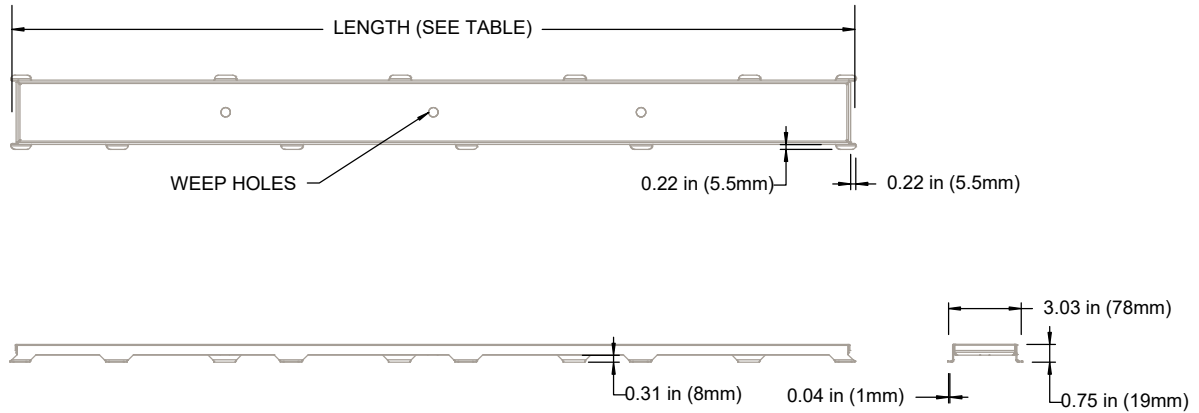


SHOWER CHANNEL - TILE GRATE

ACO Specification Information



Product Table

Length (mm) inches	700 27.55	800 31.50	900 35.43	1000 39.37	1200 47.24	1400 55.12	Replacement grate lifting key
Part No. Electro-polished	37335	37338	37336	37334	37332	37419	37339
Part No. Oil-rubbed bronze	37327	37300	37331	37323	37310	37298	37339
Weight lbs	1.3	1.5	1.7	1.9	2.3	2.7	0.1
Intake Area sq. in.	12.96	14.66	16.37	18.07	21.48	24.89	n/a

Specification Clause

The ACO ShowerDrain Tile grate shall be 1mm (20 gauge) stainless steel grade 304 manufactured by ACO, Inc. USA.

The surface finish shall be Electropolished OR Oil-Rubbed Bronze.

Grates shall be 3.07" (78mm) wide with length as specified on Architects plans / Architects specification.

Shower channel shall be Plain Edge OR Flange Edge. (See separate Spec Info Sheet for details)

ACO recommends checking local plumbing codes prior to installation.

The system shall be installed in accordance with the manufacturer's instructions and recommendations.

ACO, Inc.

Northeast Sales Office
9470 Pinecone Dr.
Mentor, OH 44060
Tel: (800) 543-4764
Fax: (440) 639-7235

West Sales Office
825 W. Beechcraft St.
Casa Grande, AZ 85122
Tel: (866) 809-4506
Fax: (520) 421-9899

Southeast Sales Office
4211 Pleasant Rd
Fort Mill, SC 29708
Tel: (800) 543-4764
Fax: (803) 802-1063

usashowerdrain@aco.com
www.acousa.com/showerdrain

